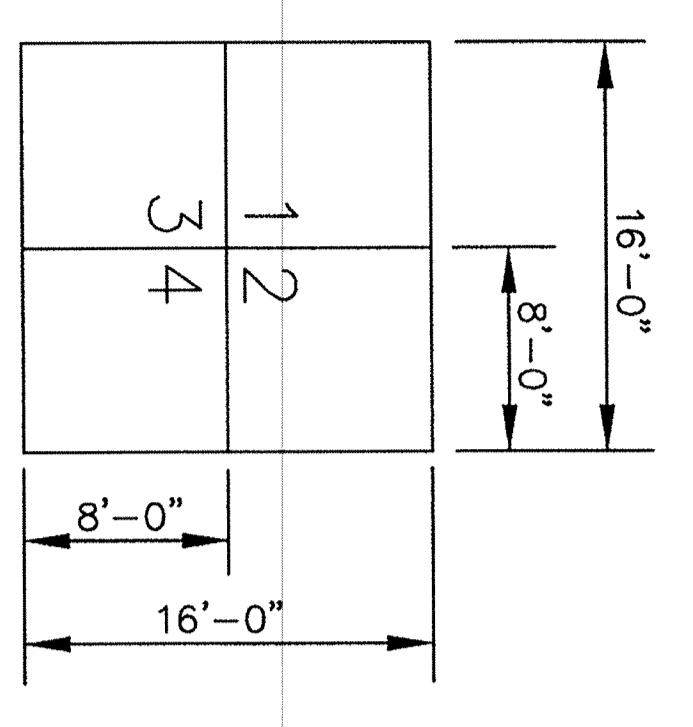
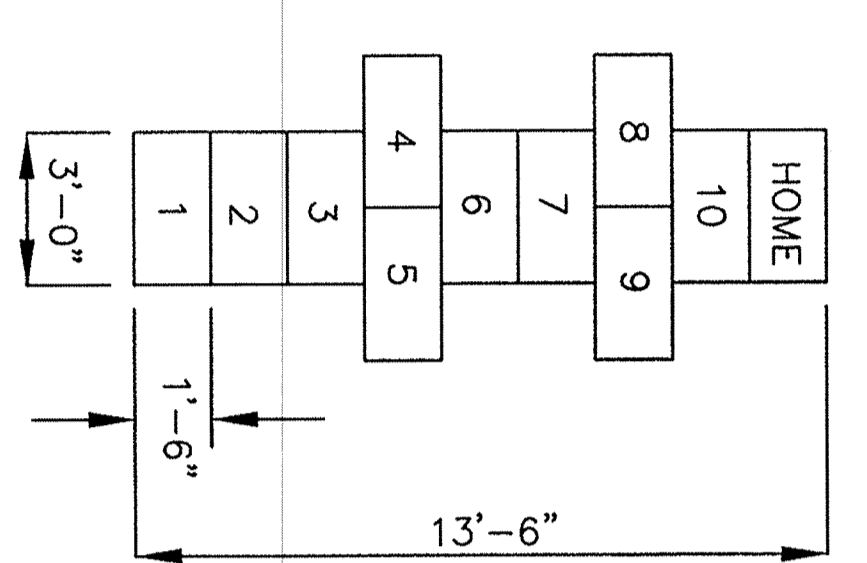


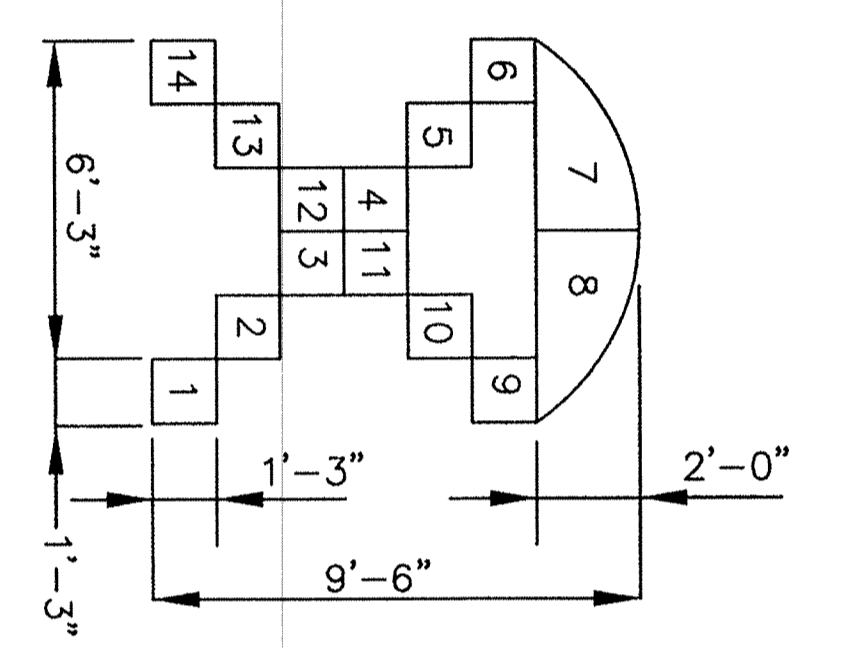
2 PRIMARY STRIPING
C-3E NOT TO SCALE



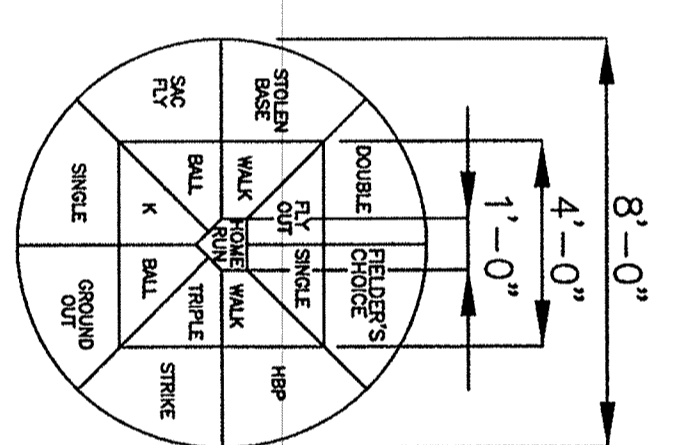
3 PRIMARY STRIPING
C-3E NOT TO SCALE



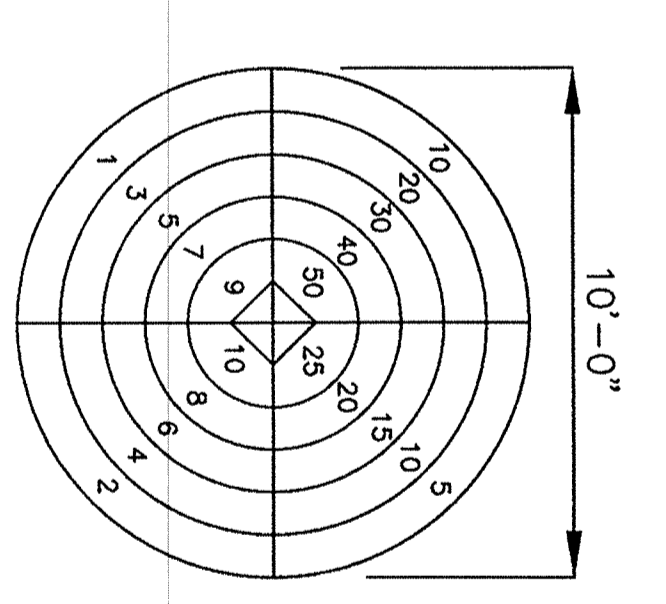
4 PRIMARY STRIPING
C-3E NOT TO SCALE



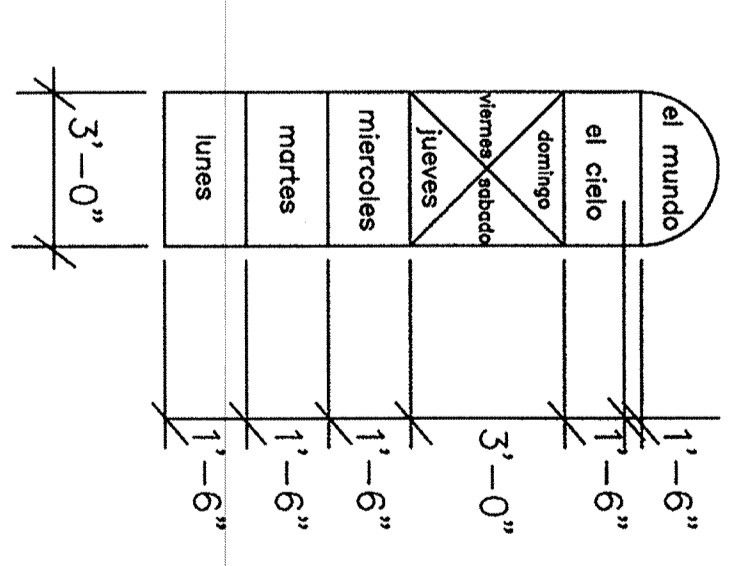
5 PRIMARY STRIPING
C-3E NOT TO SCALE



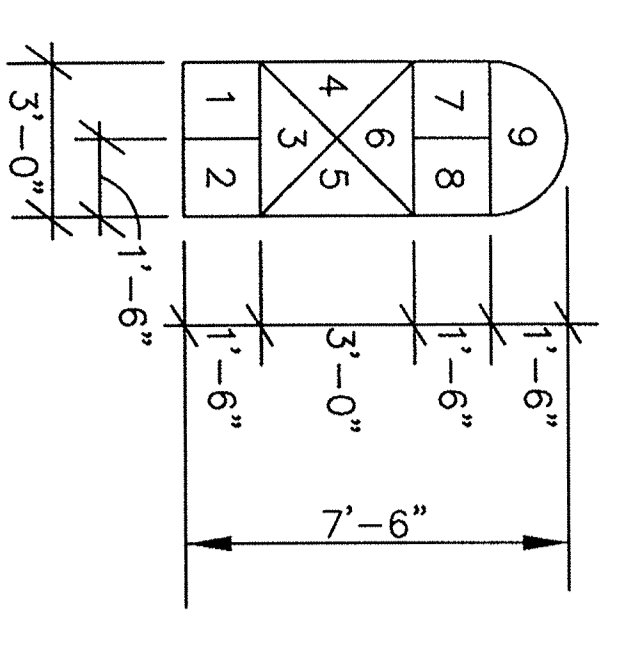
6 PRIMARY STRIPING
C-3E NOT TO SCALE



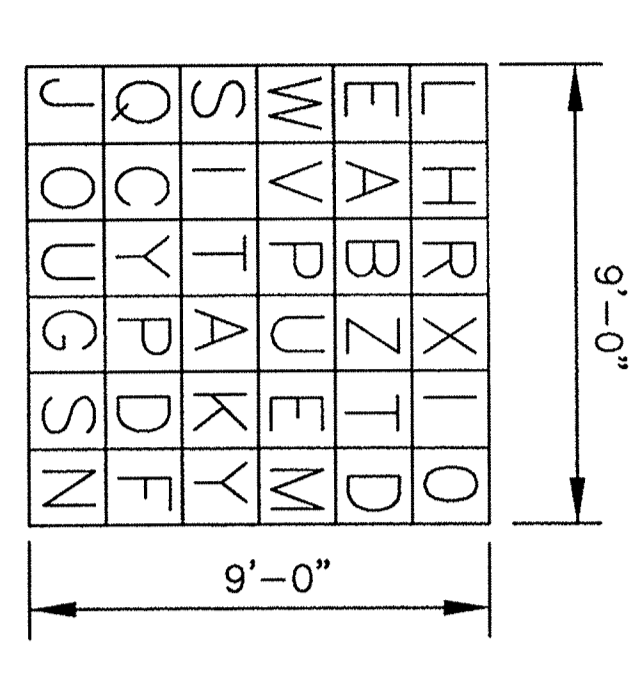
7 PRIMARY STRIPING
C-3E NOT TO SCALE



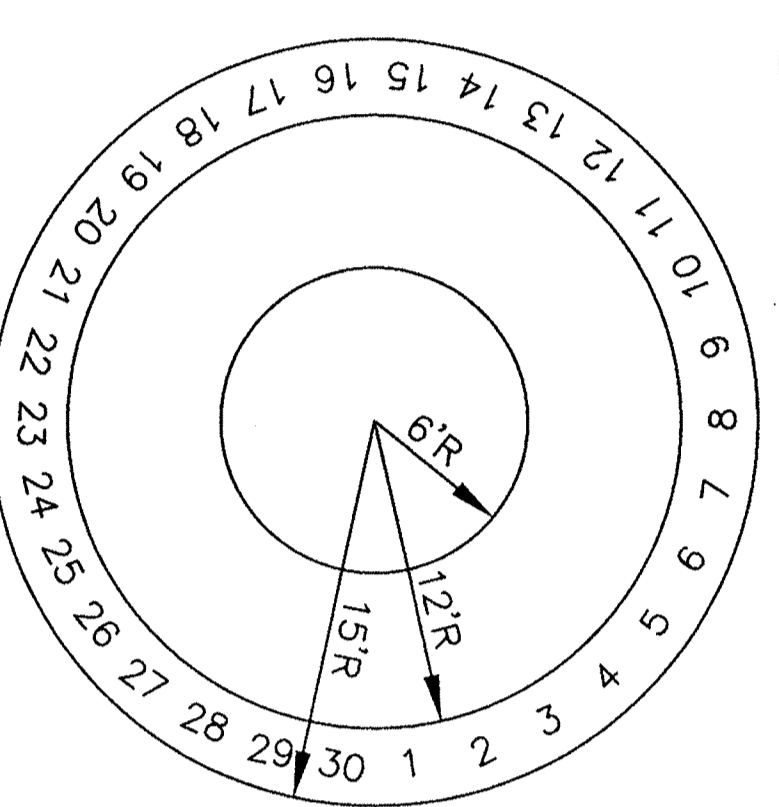
8 PRIMARY STRIPING
C-3E NOT TO SCALE



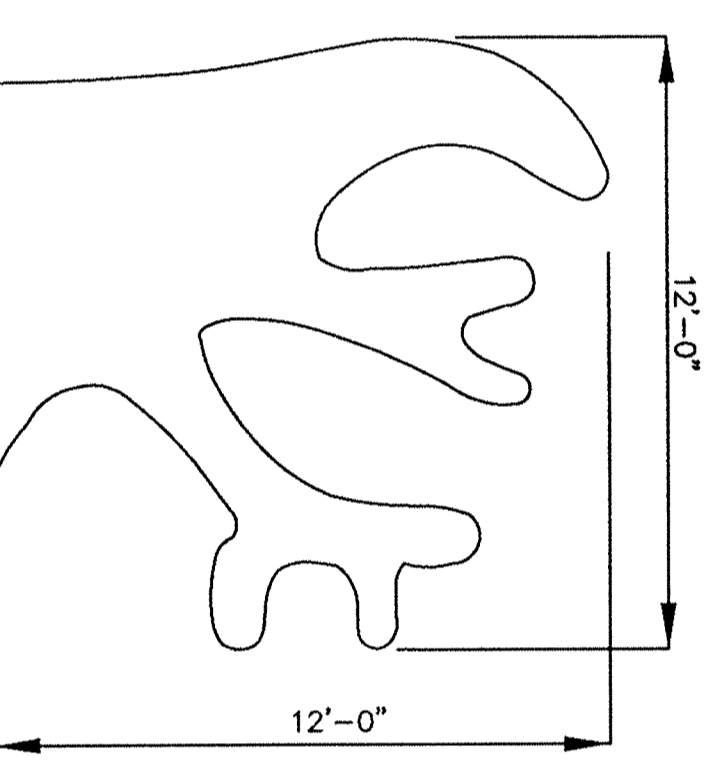
9 PRIMARY STRIPING
C-3E NOT TO SCALE



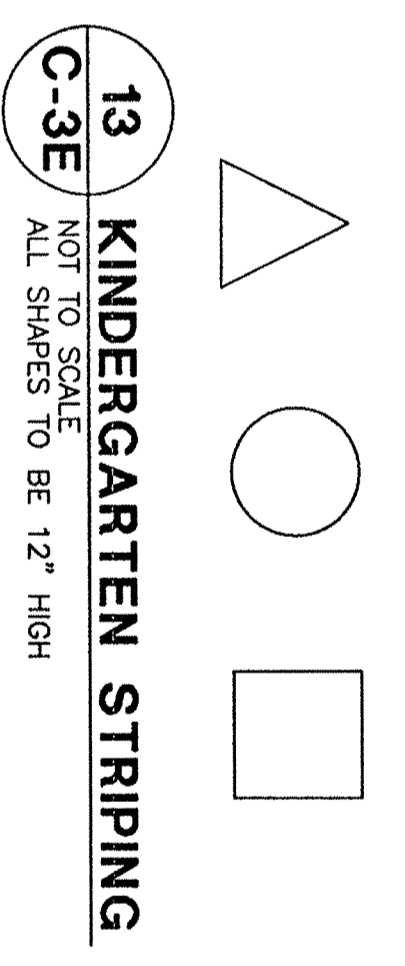
10 PRIMARY STRIPING
C-3E NOT TO SCALE



11 PRIMARY STRIPING
C-3E NOT TO SCALE



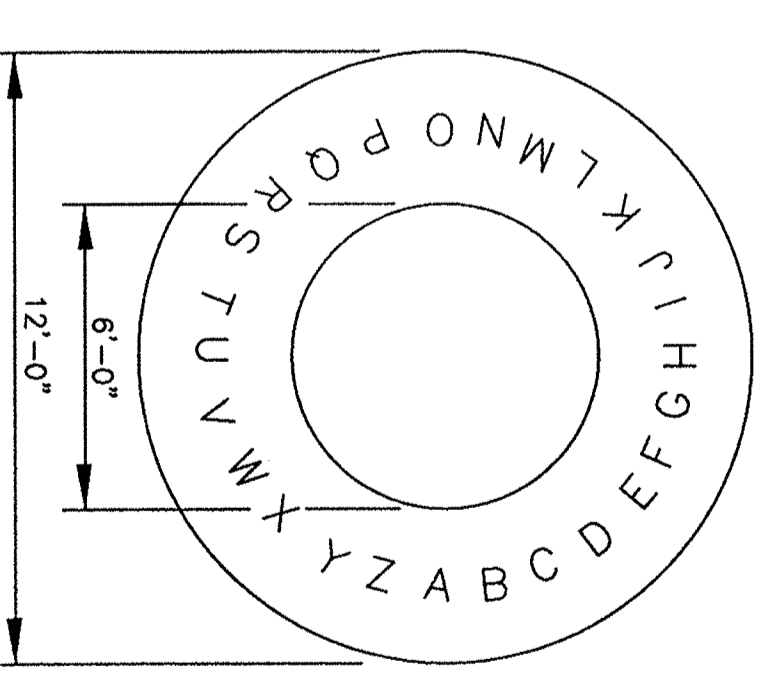
12 KINDERGARTEN STRIPING
C-3E NOT TO SCALE



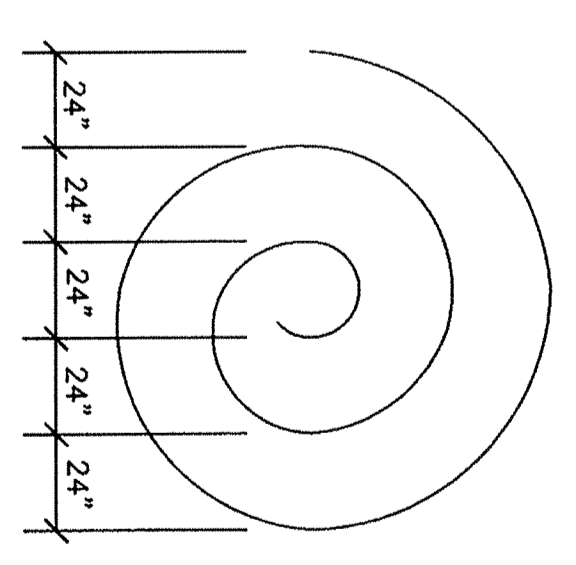
13 KINDERGARTEN STRIPING
C-3E NOT TO SCALE
ALL SHAPES TO BE 12" HIGH

- RUN
- WALK
- LEAP
- HOP
- STOP
- JUMP
- SLIDE
- GALLOP
- CRAWL

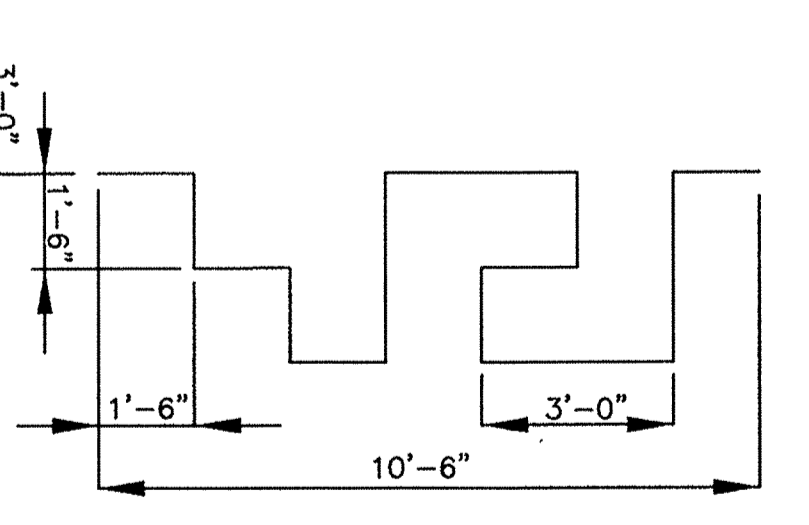
14 KINDERGARTEN STRIPING
C-3E NOT TO SCALE
ALL LETTERS TO BE 12" HIGH



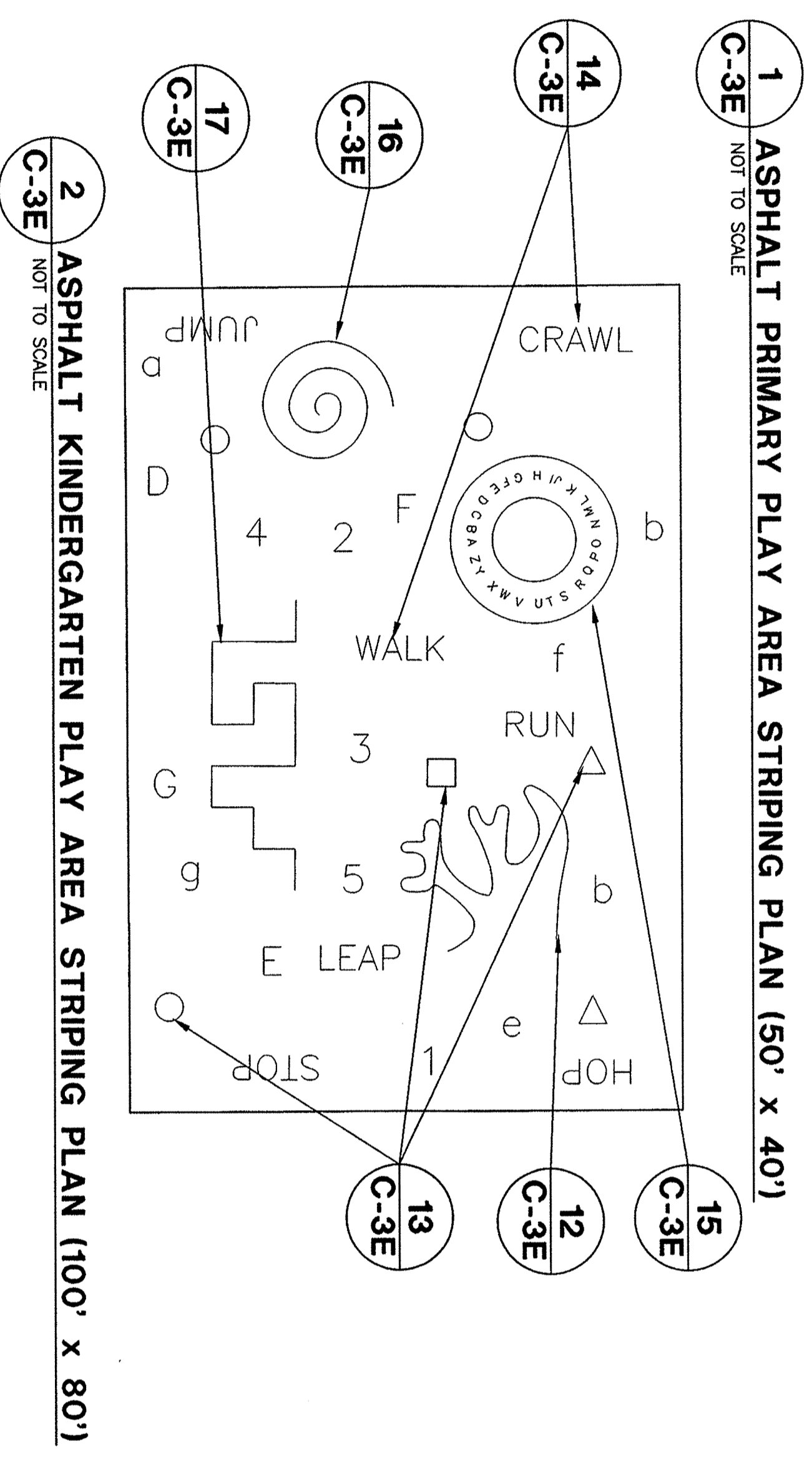
15 KINDERGARTEN STRIPING
C-3E NOT TO SCALE



16 KINDERGARTEN STRIPING
C-3E NOT TO SCALE



17 KINDERGARTEN STRIPING
C-3E NOT TO SCALE



1 ASPHALT PRIMARY PLAY AREA STRIPING PLAN (50' x 40')
C-3E NOT TO SCALE

2 ASPHALT KINDERGARTEN PLAY AREA STRIPING PLAN (100' x 80')
C-3E NOT TO SCALE

PROVIDE LOWER CASE ALPHABET LETTERS AT RANDOM SPACING.
PROVIDE UPPER CASE ALPHABET LETTERS AT RANDOM SPACING.
PROVIDE NUMERIC NUMBERS 0-9 AT RANDOM SPACING.

LIBER: 3218 TOLUO: 331
BAR: 100 DISTRICT: 10112
ACCOUNT NO.: 0084548

OWNER/APPLICANT
MONTGOMERY COUNTY PUBLIC SCHOOLS
2096 GAITHER ROAD, SUITE 203
ROCKVILLE, MARYLAND 20850
ATTN: MR. JAMES R. TOKAR, P.E.
TEL: 240.314.1008 FAX: 240.314.1036

CONSTRUCTION BID SET
9/03/08

Revisions / Submissions
Date

CARDEROCK SPRINGS
ELEMENTARY SCHOOL MODERNIZATION
7401 PERSIMMON TREE LANE
BETHESDA, MD 20817

BEERYRIO
ARCHITECTURE + INTERIORS

9001 BRADDOCK ROAD 4TH FLOOR SPRINGFIELD VA 22151
(703) 426-9057 www.beeryrio.com

ADTEK
DESIGN ARCHITECTURE INTERIORS
5 LANDSCAPE ARCHITECTURE
FREDERICK, MARYLAND 21701-5278
(301) 501-0202 FAX: 301-501-0244
www.adtekdva.com

SITE DETAILS

DESIGNED	JEB	PROJECT NO.	07084-000
DRAWN	AMM	SCALE	
CHECKED	TAW	DRAWING NO.	C-3E
REVISION	SPB	DATE	09/03/08